



# Installation instructions for PZ4AL-01157-00

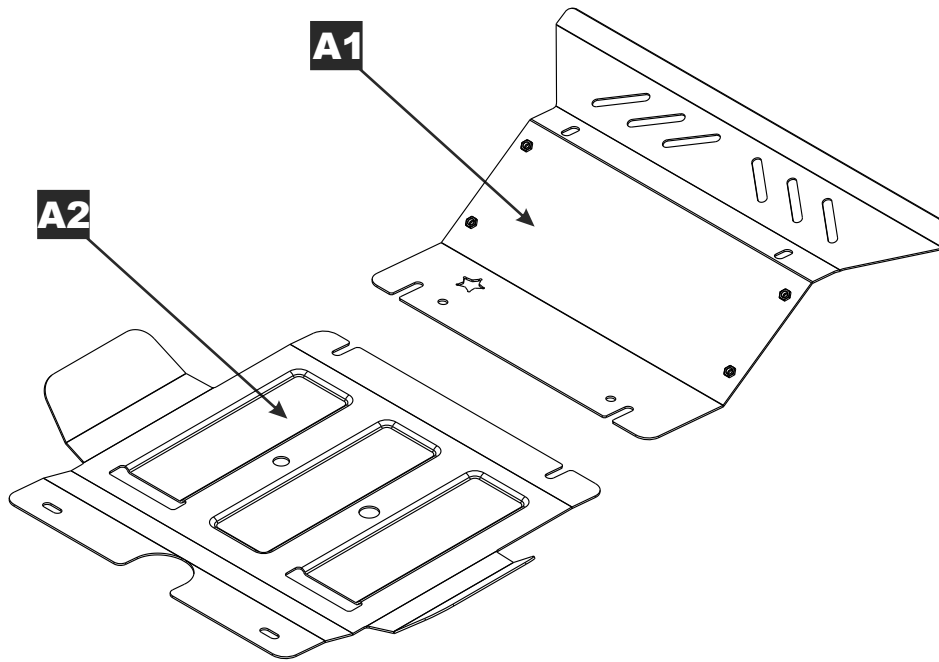
## Under Run Protective Shield Engine Bay

# TOYOTA Hilux



Model Year:	<b>2006-2010-</b>
Vehicle Code:	KUN25L-DRMDHW KUN25L-DRMSHW KUN25L-PRMSHW
Part Number:	PZ4AL-01157-00
 Weight:	10.66 kg
 Installation Time:	30 min
Manual reference number:	AIM 001 427-0

Part number: PZ4AL-01157-00



PZ4AL-01157-60

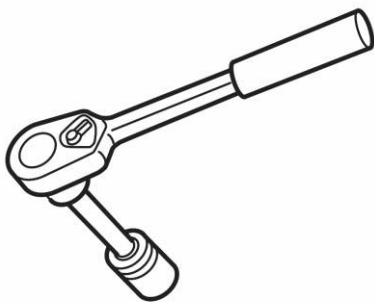
**B1**



**B2**



**C**



Part number:  
PZ4AL-01157-00

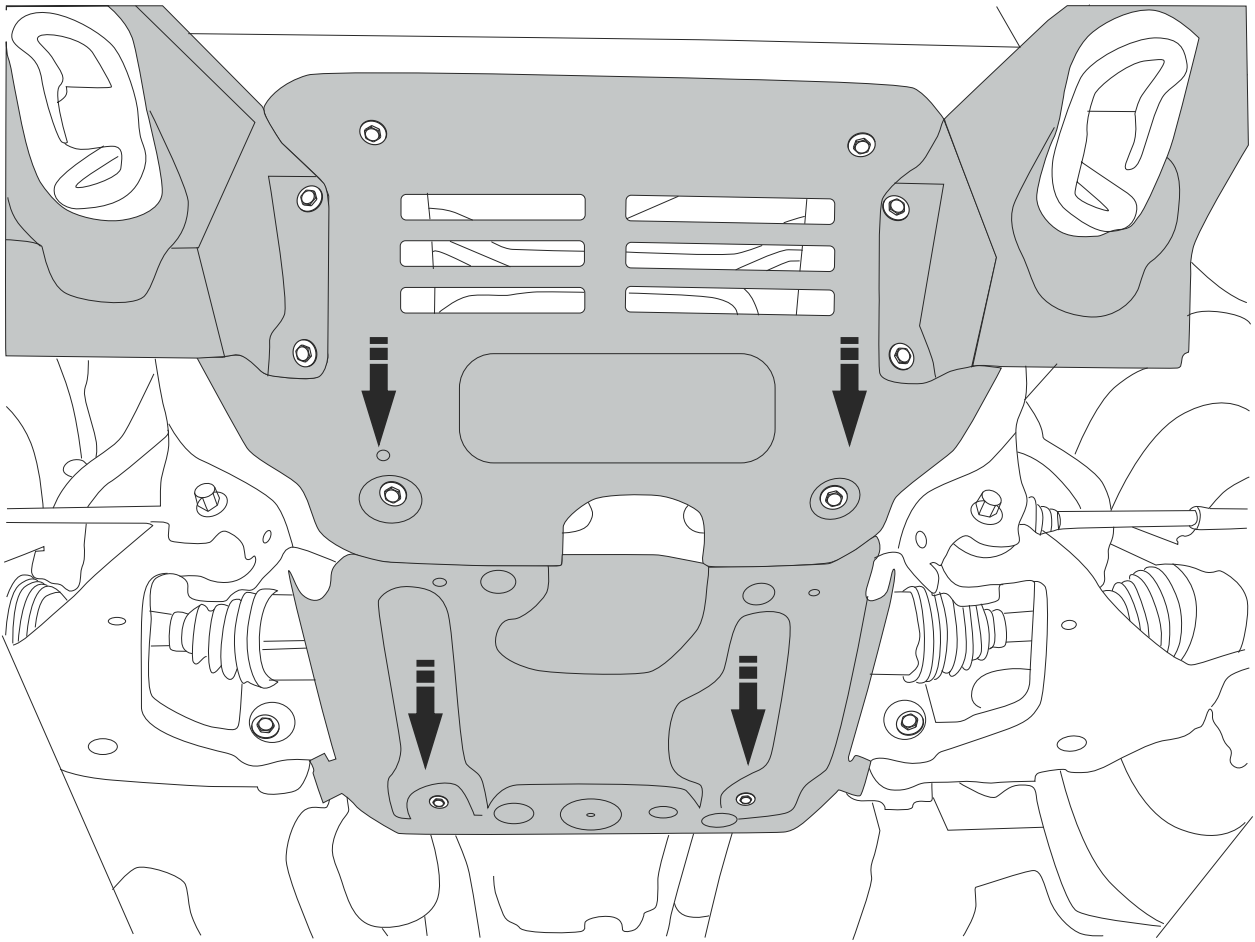
Issue:  
0

Date:  
20/09/12

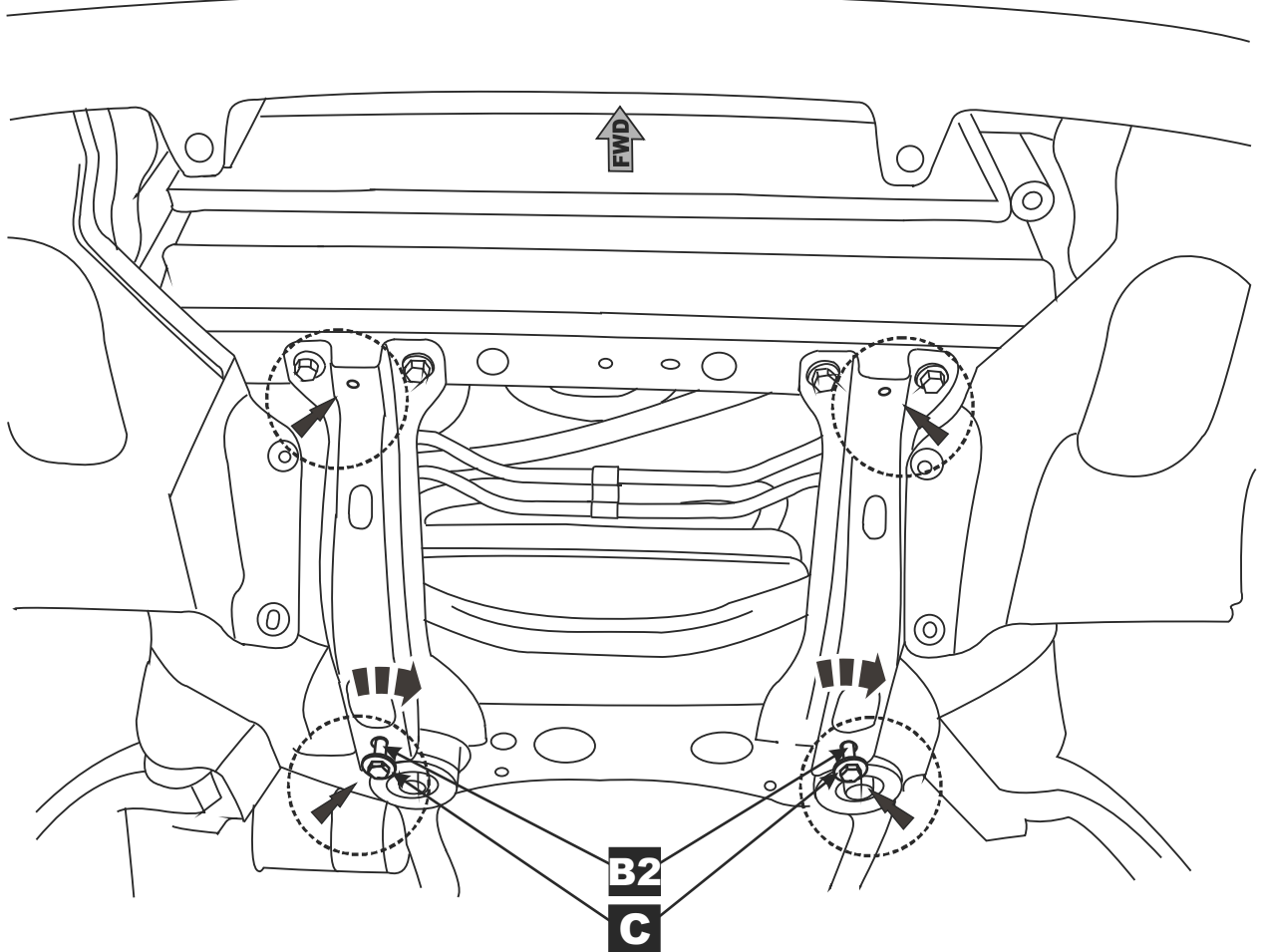
Manual reference number:  
AIM 001 427-0

Page:  
2/6

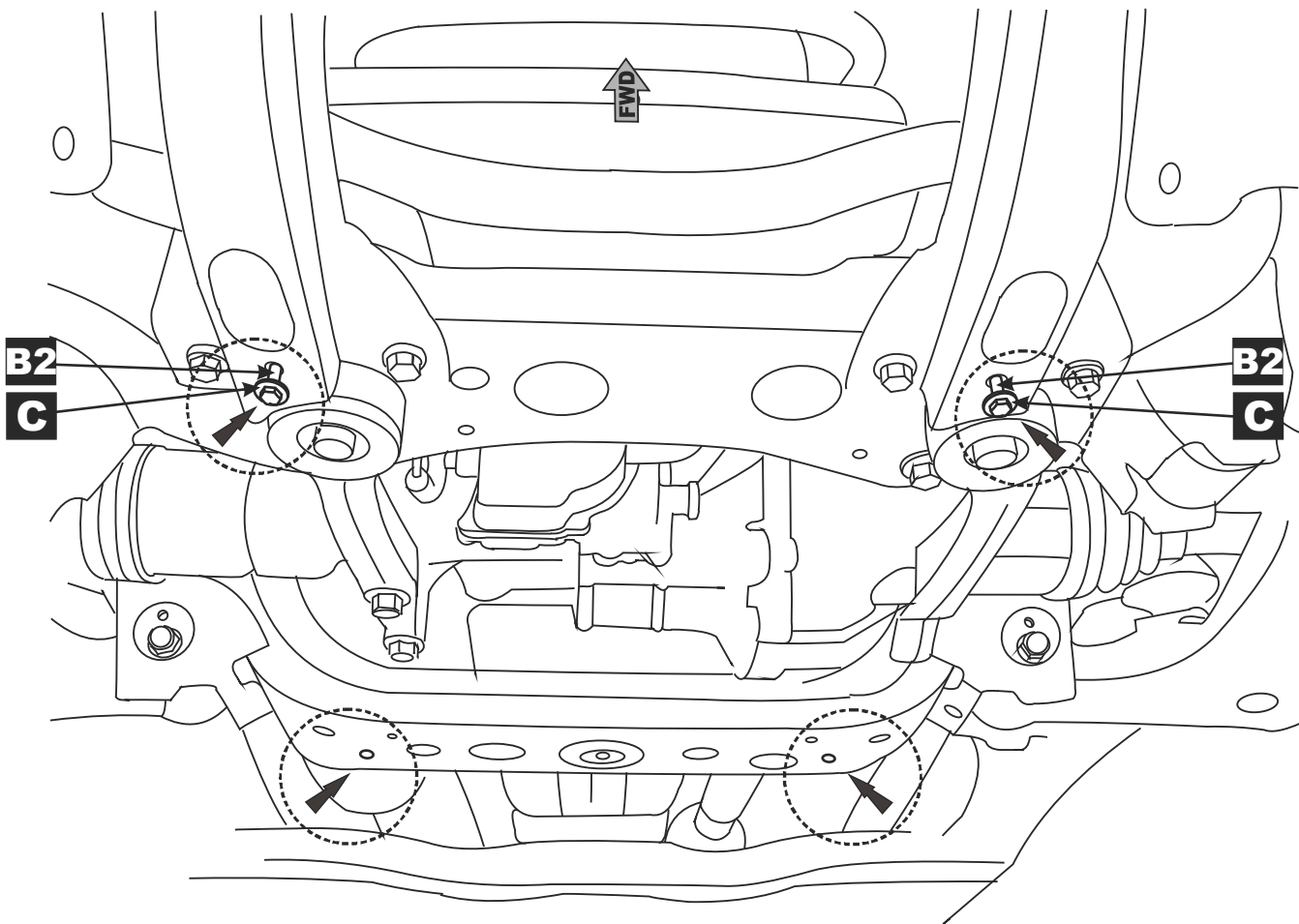
**1**



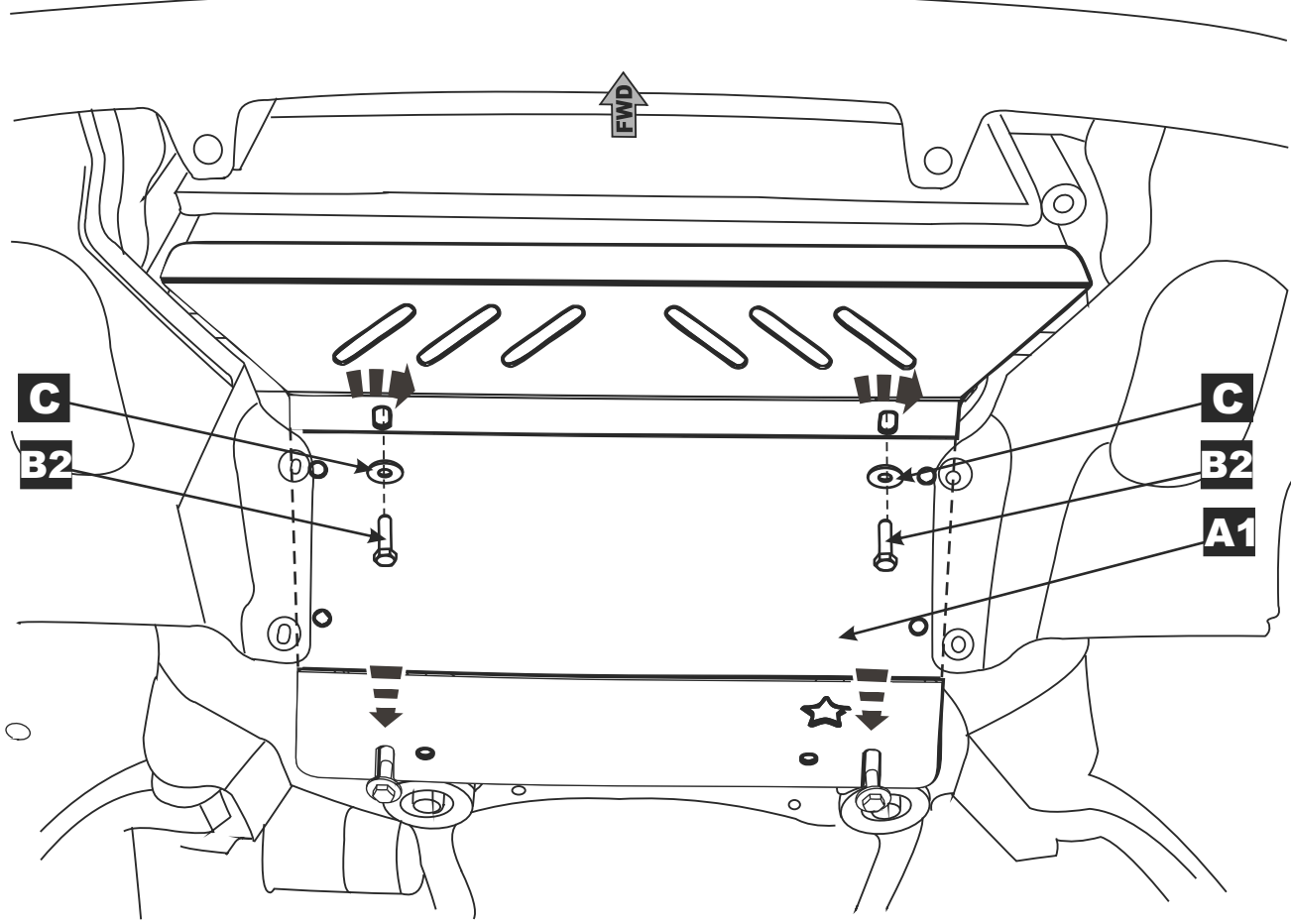
**2**



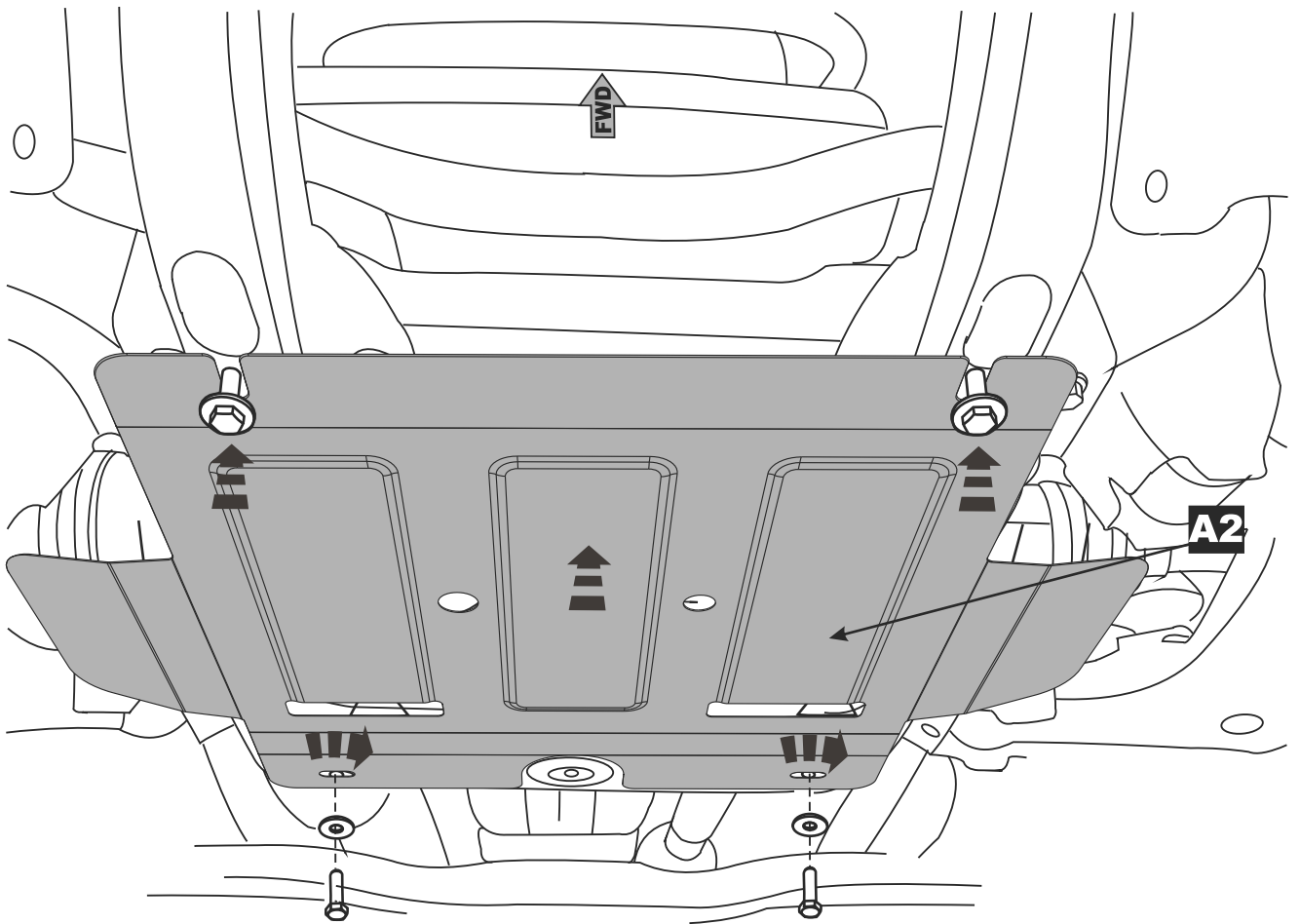
3



4



**5**



**6**

